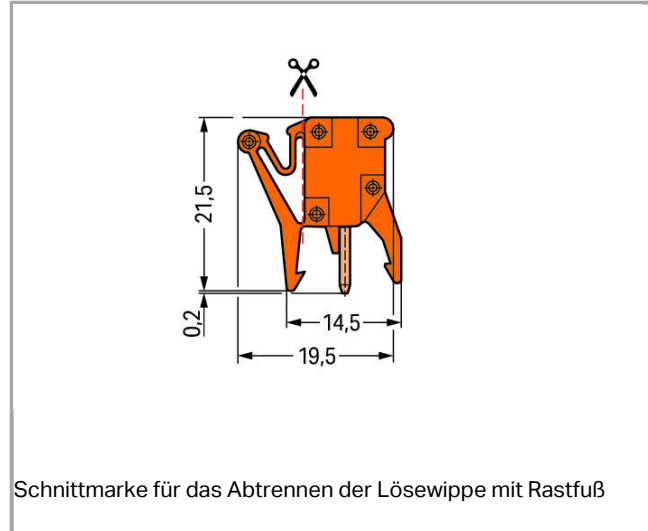


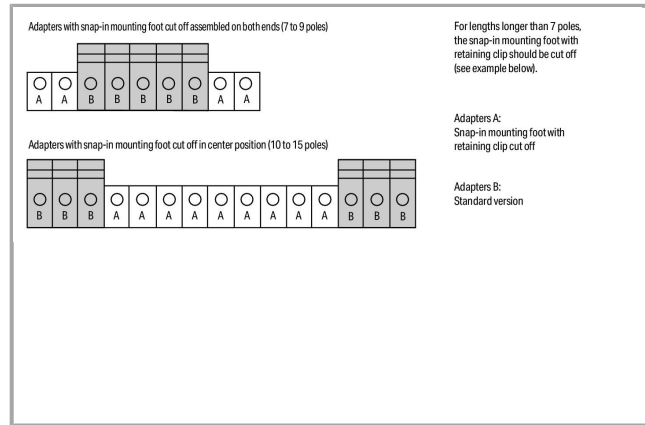
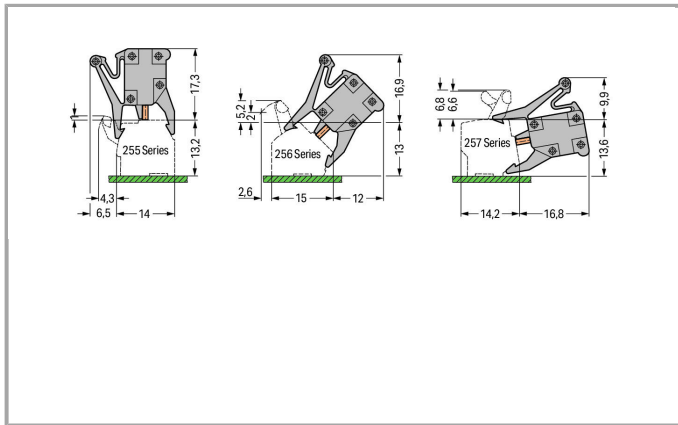
Data sheet | Item number: 249-115

Test plug adapter; suitable for 255, 256, 257 Series PCB terminal blocks; 1-pole; Pin spacing 10.16 mm / 0.4 in



249-115





Data

Electrical data

Ratings per IEC/EN 60664-1

Rated voltage (III / 2)	320 V
Rated impulse voltage (III / 2)	4 kV
Rated current	6 A

Connection data

No. of poles	1
Number of connection types	1

Geometrical Data

Pin spacing	10.16 mm / 0.4 inch
Width	10.16 mm / 0.4 inch
Height	21.5 mm / 0.846 inch
Depth	19.5 mm / 0.768 inch

Material Data

Color	orange
Material group	I
Insulating material	Polyamide 66 (PA 66)
Flammability class per UL94	V0
Fire load	0 MJ
Weight	1.65 g

Environmental Requirements

Limit temperature range	-60 ... +105 °C
-------------------------	-----------------



Commercial data

Product Group	2 (Terminal Block Accessories)
Country of origin	CH
GTIN	4045454306861
Customs Tariff No.	85366990990

Subject to changes.
